

GENERAL

ALIAMAG The AMF601 Series is a sanitary type electromagnetic flowmeter ideal for conductive liquids. It comes in sizes from 10-80 mm. The AMF601 is widely used for drink water, milk, food & beverage juice and many other industrial fluid.

AMF601 Series electromagnetic flowmeter could be used in compact or remote model with AMC Series converter of electromagnetic flowmeter.

FEATURES

- ❑ Light and compact version
- ❑ Flow velocity range: 0-12 m/s, precise in low flow applications
- ❑ IDF Tri-Clamp or Union screw Connection
- ❑ Excellent for high pressure application
- ❑ Protection class: IP68 available; sensor submersible
- ❑ FEP liner is suitable for vacuum tube
- ❑ High accuracy of +/-0.4% value of reading (or +/-0.2% value of reading)
- ❑ With Forward / Reverse flowrate measurement function

STANDARD SPECIFICATION

- | | | | |
|--------------------|---|------------------------|---|
| ● Size | : 10,15, 20, 25, 32, 40, 50, 65, 80 mm
: 3/8", 1/2", 3/4", 1", 1-1/4", 1-1/2", 2",
2-1/2", 3" | ● Cable Entry | : Standard: M20 Option: 1/2" NPTF |
| ● Measuring Range | : Velocity 0-0.25 m/s Min.
0-12 m/s Max. | ● Ambient Temperature | : -25 ~ 60 °C |
| ● Material | Tube & Connection : Stainless Steel 304, 316, 316L
Coil Housing : Stainless Steel 304 (Standard)
: Stainless Steel 316 (Option)
: Stainless Steel 316L (Option)
Liner : FEP
Electrode : Stainless Steel 316L
: Hastelloy B
: Hastelloy C
: Titanium
: Tantalum
: Tungsten Carbide
: Platinum | ● Process Connection | : IDF Tri-Clamp
: Union Screw |
| ● Protection Class | : Junction box IP67, Body IP68
: IP68 (Submersible) | ● Grounding Resistance | : Must be less than 10 Ω |
| ● Conductivity | : More than 5 μS/cm | ● Accuracy | : +/-0.5% reading (Velocity ≥ 0.5 m/s)
: +/-0.2% reading
(Suitable for AMC3200 / 3200E converter)
: +/-0.0025 m/s (Velocity < 0.5 m/s) |
| | | ● Temperature | : -40 ~ 150 °C |
| | | ● Max. Pressure | : 10 kgf/cm ² (Standard)
: 40 kgf/cm ² (Option) |
| | | ● Explosion Proof | : Ex d ia [ia] q IIC T6
(with AMC3200, AMC3200DF only) |

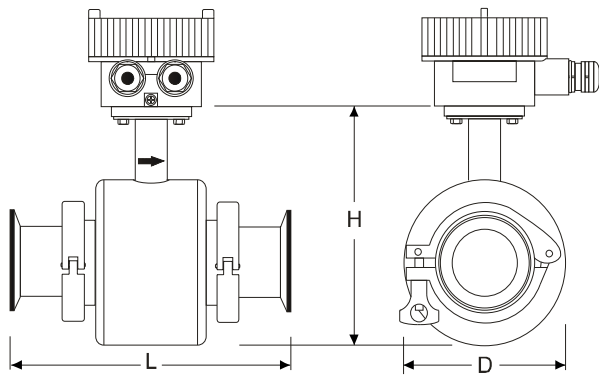


FLOW RANGE

Unit: m³/hr

Normal Size		Flow Range & Velocity Table						
mm	Inch	Min. 0-0.25 m/s	1.0 m/s	2.0 m/s	3.0 m/s	5.0 m/s	10.0 m/s	Max. 0-12 m/s
10	3/8"	0 to 0.07	0.28	0.57	0.85	1.4	2.8	0 to 3.4
15	1/2"	0 to 0.16	0.64	1.27	1.91	3.18	6.4	0 to 7.6
20	3/4"	0 to 0.28	1.13	2.26	3.39	5.65	11.3	0 to 13.6
25	1"	0 to 0.44	1.77	3.53	5.30	8.84	17.7	0 to 21.2
32	1-1/4"	0 to 0.72	2.90	5.79	8.69	14.5	29.0	0 to 34.7
40	1-1/2"	0 to 1.13	4.52	9.05	13.6	22.6	45.2	0 to 54.3
50	2"	0 to 1.77	7.07	14.1	21.2	35.3	70.7	0 to 84.8
65	2-1/2"	0 to 2.99	11.9	23.9	35.8	59.7	119	0 to 143
80	3"	0 to 4.52	18.1	36.2	54.3	90.5	181	0 to 217

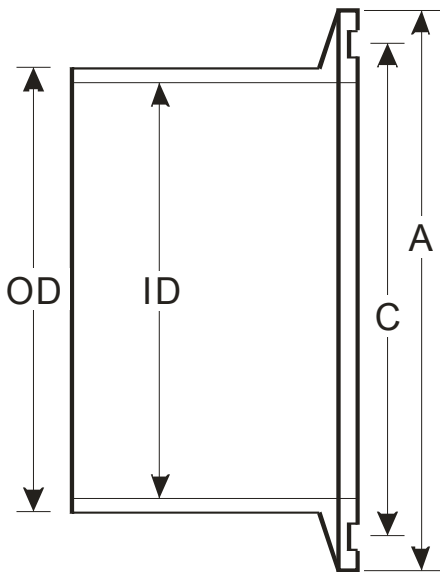
DIMENSIONS



Size		Dimensions (mm)			Weight
mm	Inch	L	D	H	kg
10	3/8"	150	84	132	2.1
15	1/2"	150	84	132	2.1
20	3/4"	150	84	132	2.3
25	1"	150	99	147	2.7
32	1-1/4"	150	99	147	3.0
40	1-1/2"	150	99	147	4.0
50	2"	150	112	160	4.8
65	2-1/2"	200	120	168	5.8
80	3"	200	137	185	7.8

TRI-CLAMP SPECIFICATIONS

Unit: mm

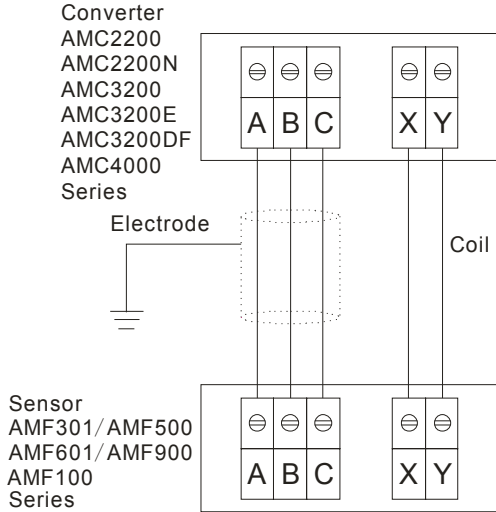


HAB									
Pipe Size	ID	OD	A	C	1"	1-1/2"	2"	2-1/2"	3"
					25				
					40	50	65	80	
					22.1	34.8	47.5	60.2	72.9
					25.4	38.1	50.8	63.5	76.2
					50.4	50.4	64.0	77.4	91.0
					43.6	43.6	56.3	70.6	83.3

HDB (DIN 32676)									
Pipe Size	3/8"	1/2"	3/4"	1"	1-1/4"	1-1/2"	2"	2-1/2"	3"
	10	15	20	25	32	40	50	65	80
ID	10.0	16.0	20.0	26.0	32.0	38.0	50.0	66.0	81.0
OD	14.0	20.0	24.0	30.0	36.0	42.0	54.0	70.0	85.0
A	34.0	34.0	34.0	50.5	50.5	50.5	64.0	91.0	106
C	27.5	27.5	27.5	43.5	43.5	43.5	56.5	83.5	97.0

HKB (ISO 2852)									
Pipe Size	3/8"	1/2"	3/4"	1"	1-1/4"	1-1/2"	2"	2-1/2"	3"
	10	15	20	25	32	40	50	65	80
ID	12.0	17.2	21.3	22.6	31.3	35.6	48.6	60.3	72.9
OD	16.0	21.2	25.3	25.6	34.3	38.6	51.6	64.1	76.7
A	34.0	34.0	34.0	50.5	50.5	50.5	64.0	77.5	91.0
C	27.5	27.5	27.5	43.5	43.5	43.5	56.5	70.5	83.5

➤ WIRING DIAGRAM



➤ MODEL SELECTION GUIDE

AMF601 Series										
Example: AMF601-F050-SK6-030-EX										
AMF601-	X	XXX	-X	X	X-	XXX	-XX	Description		
Liner	F							FEP		
Size	010-080							10-80 mm		
Electrode Material	-S							Stainless Steel 316L		
	-T							Titanium		
	-B							Hastelloy B		
	-C							Hastelloy C		
	-A							Tantalum		
	-P							Platinum		
	-U							Tungsten Carbide		
	-Z							Others		
Process Connection	A							Tri-Clamps, HAB		
	D							Tri-Clamps, HDB (DIN 32676)		
	K							Tri-Clamps, HKB (ISO 2852)		
	S							Screw Unions (DIN 11851)		
Connections / Housing Material	4-							S.S. 304 Connections / S.S. 304 Housing		
	6-							S.S. 316 Connections / S.S. 304 Housing		
	9-							S.S. 316 Connections / S.S. 316 Housing		
	A-							S.S. 316L Connections / S.S. 316L Housing		
Installation & Cable Length			NNN							Compact Version
			010-300							Remote Version, Cable 10-300 m
Option	-NN									None
	-EX									Explosion Proof, Ex d ia [ia] q IIC T6 (with AMC3200, AMC3200DF Only)
	-HP									Pressure Higher Than 10 kgf/cm ²
	-T1									Max. Temp. : 121-140 °C
	-T2									Max. Temp. : 141-150 °C
	-PT									Cable Entry 1/2" NPTF
-LR									Low-resistance coil (with AMC3200DF only)	

➤ BUILD OPTIONS-(COMPACT OR REMOTE)

