

GENERAL

ALIAMAG The AMF301 Series is a threaded type electromagnetic flowmeter ideal for conductive liquids. It comes in sizes from 4-40 mm.

The AMF301 is widely used for tap-water, waste water, food & beverage, pulp & paper and many other industrial fluid.

AMF301 Series electromagnetic flowmeter could be used in compact or remote model with AMC Series converter of electromagnetic flowmeter.

FEATURES

- Light and compact version
- Flow velocity range: 0-12 m/s, precisely in low flow applications
- Interface thread piping
- FEP Liner suitable for vacuum tube
- High accuracy of +/-0.4% value of reading (or +/-0.2% value of reading)
- With Forward / Reverse flowrate measurement function

STANDARD SPECIFICATION

- Size : FEP: 4, 10, 15, 25 mm
: PU: 10, 15, 20, 25, 32, 40 mm
- Measuring Range : Velocity 0-0.25 m/s Min.
0-12 m/s Max.
- Material
 - Tube & Connection : Stainless Steel 304
 - Coil Housing : Carbon Steel (Standard)
 - Liner : PU / FEP
 - Electrode : Stainless Steel 316L
 - : Titanium
 - : Hastelloy B
 - : Hastelloy C
 - : Tantalum
 - : Platinum (25, 32, 40 mm Only)
- Flow Range
 - 4 mm : 0-11.3 L/hr ~ 0-543 L/hr
 - 10 mm : 0-71 L/hr ~ 0-3,393 L/hr
 - 15 mm : 0-159 L/hr ~ 0-7,634 L/hr
 - 20 mm : 0-283 L/hr ~ 0-13,571 L/hr
 - 25 mm : 0-442 L/hr ~ 0-21,205 L/hr
 - 32 mm : 0-724 L/hr ~ 0-34,743 L/hr
 - 40 mm : 0-1,131 L/hr ~ 0-54,286 L/hr
- Cable Entry : Standard: M20 Option: 1/2" NPTF
- Ambient Temperature : -25 ~ 60 °C
- Process Connection : Screw thread (BSPP)
- Grounding Resistance : Must be less than 10 Ω
- Accuracy : +/-0.4% of reading (Velocity ≥ 0.5 m/s)
: +/-0.2% of reading
(Suitable for AMC3200 / 3200E converter)
: +/-0.0025 m/s (Velocity < 0.5 m/s)
- Temperature
 - Compact : -10 ~ 80 °C
 - Remote : -20 ~ 120 °C (Liner: FEP)
: -10 ~ 80 °C (Liner: PU)
- Max. Pressure : 16 kgf/cm²
- Explosion Proof : Ex d ia [ia] q IIC T6
(with AMC3200 only)
- Protection Class : IP67
- Conductivity : More than 5 μS/cm

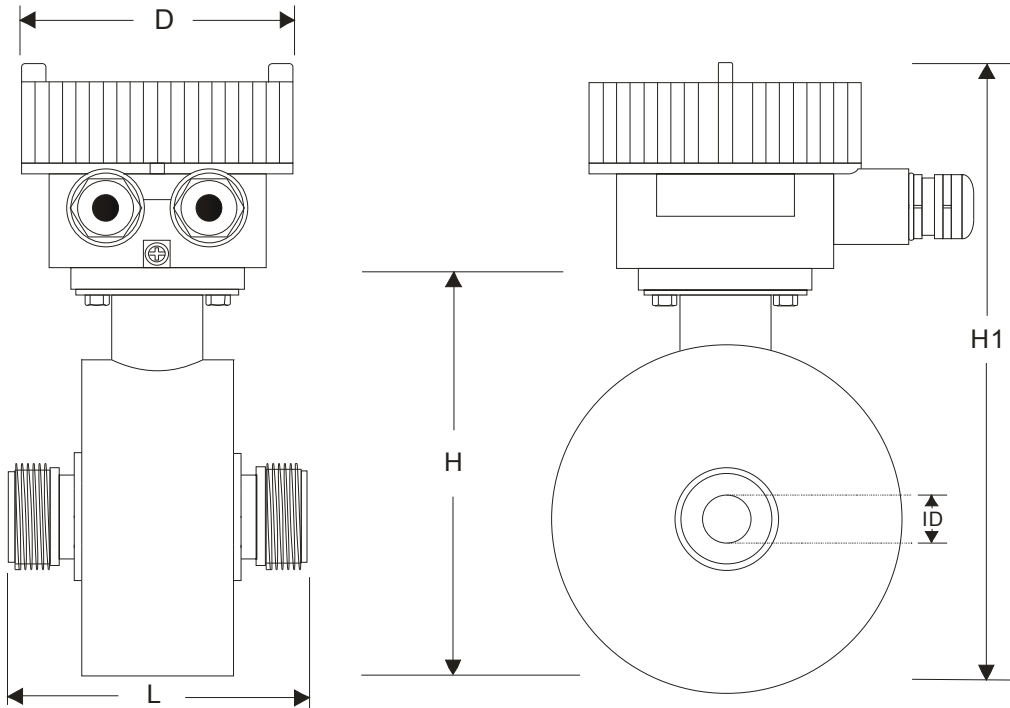


FLOW RANGE

Unit: L/hr

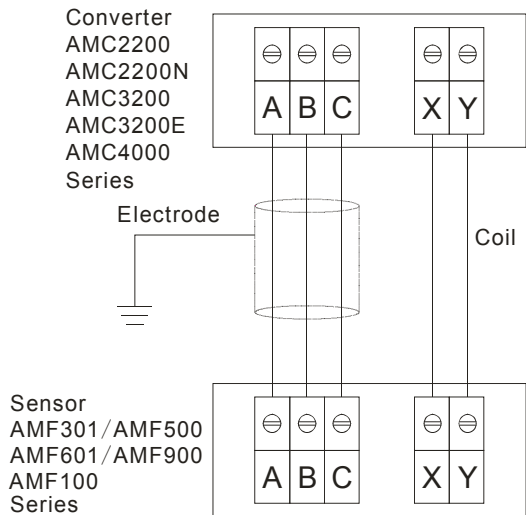
| Normal Size mm | Flow Range & Velocity Table | | | | | | |
|-------------------|-----------------------------|---------|---------|---------|---------|----------|------------------|
| | Min. 0-0.25 m/s | 1.0 m/s | 2.0 m/s | 3.0 m/s | 5.0 m/s | 10.0 m/s | Max. 0-12 m/s |
| 4 | 0 to 11.3 | 45 | 90 | 136 | 226 | 452 | 0 to 543 |
| 10 | 0 to 71 | 283 | 565 | 848 | 1,414 | 2,827 | 0 to 3,393 |
| 15 | 0 to 159 | 636 | 1,272 | 1,908 | 3,181 | 6,362 | 0 to 7,634 |
| 20 | 0 to 283 | 1,131 | 2,262 | 3,393 | 5,655 | 11,309 | 0 to 13,571 |
| 25 | 0 to 442 | 1,767 | 3,534 | 5,301 | 8,836 | 17,671 | 0 to 21,205 |
| 32 | 0 to 724 | 2,895 | 5,790 | 8,686 | 14,476 | 28,952 | 0 to 34,743 |
| 40 | 0 to 1,131 | 4,524 | 9,048 | 13,571 | 22,619 | 45,238 | 0 to 54,286 |

DIMENSIONS



| Size | Connection | Dimensions (mm) | | | | Weight |
|---------|-------------|-----------------|----------|-----------|-----------|-----------|
| | | L | D | H | H1 | |
| ID (mm) | | FEP / PU | FEP / PU | FEP / PU | FEP / PU | FEP / PU |
| 4 | 1/2" BSPP | 90 / X | 100 | 140 / X | 219 / X | 2.0 / X |
| 10 | 3/4" BSPP | 100 / 100 | 100 | 145 / 137 | 224 / 216 | 2.2 / 2.2 |
| 15 | 3/4" BSPP | 110 / 100 | 100 | 145 / 137 | 224 / 216 | 2.5 / 2.4 |
| 20 | 1" BSPP | X / 100 | 100 | X / 137 | X / 216 | X / 2.5 |
| 25 | 1-1/4" BSPP | 110 / 100 | 100 | 165 / 137 | 244 / 216 | 2.5 / 2.5 |
| 32 | 1-1/2" BSPP | X / 100 | 100 | X / 142 | X / 221 | X / 2.8 |
| 40 | 2" BSPP | X / 100 | 100 | X / 150 | X / 229 | X / 3.1 |

WIRING DIAGRAM



MODEL SELECTION GUIDE

| AMF301 Series | | | | | | |
|------------------------------|-------|----|---------|-----|-----|--|
| Example: AMF301-O15-S-050-NN | | | | | | |
| AMF301- | X | XX | -X | XXX | -XX | Description |
| Liner | O | | | | | PU / Polyurethane (10, 15, 20, 25, 32, 40 mm) |
| | F | | | | | FEP (4, 10, 15, 25 mm) |
| Size | 04-40 | | | | | 4, 10, 15, 20, 25, 32, 40 mm |
| Electrode Material | | | -S | | | Stainless Steel 316L |
| | | | -T | | | Titanium |
| | | | -B | | | Hastelloy B |
| | | | -C | | | Hastelloy C |
| | | | -A | | | Tantalum |
| | | | -P | | | Platinum (25, 32, 40 mm only) |
| | | | -Z | | | Others |
| Installation & Cable Length | | | NNN | | | Compact Version |
| | | | 010-300 | | | Remote Version, Cable 10-300 m |
| Option | | | -NN | | | None |
| | | | -EX | | | Explosion Proof, Ex d ia [ia] q IIC T6 (with AMC3200 only) |
| | | | -PT | | | Cable Entry 1/2" NPTF |

➤ BUILD OPTIONS-(COMPACT OR REMOTE)

