

GENERAL

ALIACOM The AHT520 Series HART communicator is a PC communication link to HART networks for commissioning, servicing, calibrating, or acquiring data from any HART instrument or transmitter. AHT520 is a friendly user interface that enables you to set and check instrument parameters such as tag numbers and ranges, outputs, and view data.

FEATURES

- ❑ Compatible with HART products from multiple manufacturers
- ❑ No external power supply required, USB powered from notebook / PC
- ❑ Compact size 2.9" * 2.5" * 0.85" (73 * 64 * 22 mm)
- ❑ Rugged Aluminum Alloy enclosure
- ❑ Polarity insensitive so you may attach either one of the test clips to positive or negative poles
- ❑ Standard USB port
- ❑ USB 1.1 and 2.0 compatible
- ❑ Hart communicator programming software included

STANDARD SPECIFICATION

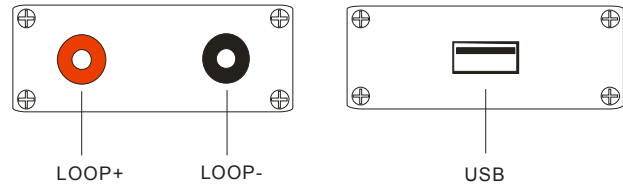
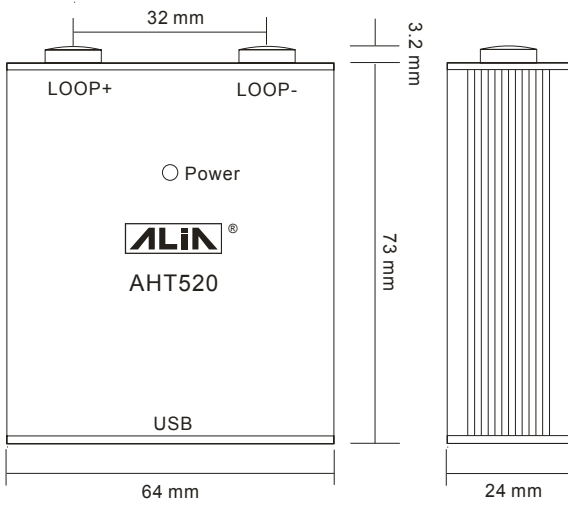
- Power Supply : System Power by USB Port
- Supply Current : 40 mA@+5 VDC
- Output Level : 0.5 +/- 0.1 Vpp trapezoidal wave
- Isolation : 1500 VDC between instrument and Computer
- Leakage Current : Less than 200 µA Typical
- EMI / RFI Effect : Follow SAMA PMC 33.1 from 20-1000 MHz and for field strengths up to 30 V/m
- Protection Class : IP54
- USB Interface : USB 1.1 and USB 2.0
- Port to Hart Device : Two Mini-Grabber test clips
Length : 1.0 m
- Port to Computer : USB connector
Length : 1.5 m
- Operating Temperature : 0~55 °C
- Storage Temperature : -40~85 °C
- Storage Humidity : 0-98% relative humidity
- Enclosure : Aluminum alloy housing with impact resistant performance



- System Requirements
 - Operating System : Windows 98 / 2000 / XP / Win7
 - Display : 800 * 600 or better resolution
 - Hard Disk Drive : 1 GB space or more
 - Main Memory : 256 MB or more
 - Function : Parameter manager
: DTM works
- Parameter Storage : Saved as TXT files
- Dimensions : 73 mm (L) * 64 mm (W) * 24 mm (H)
: 2.9" (L) * 2.5" (W) * 0.85" (H)
- CE Mark : The AHT520 meets the legal requirements of the EC directives
- Weight : 0.15 kg (0.33 lb)
- Standard package : AHT520 HART Communicator * 1 set
: Test clip (1.0 m) * 1 pair
: USB connector (1.5 m) * 1 set
: USB memory (DTM & Driver inside) * 1set



DIMENSIONS



APPLICATIONS

