

GENERAL

ALIASONIC AUF600 series is a portable transit-time ultrasonic flowmeter with clamp-on transducers for non-invasive liquid measurement. Based on microprocessor and programmable flow measurement technique which allows no interruption of the process flow and has low installation costs.

FEATURES

- ❑ 4 line LCD display flowrate, totalizer & signal condition
- ❑ The flowmeter is designed with high accuracy +/-1.0%
- ❑ Small sized(200 * 92 * 32mm) and light-weight(538 g)
- ❑ Wide range, Velocities(0.01 ~ +/- 32 m/s)
- ❑ Ni-MH Battery could support over 10 hours continuous operation
- ❑ Transducers suit for pipe sizes from 13 to 6000 mm
- ❑ Transducers include magnet devise, which can install on Metal pipe without mounting belt
- ❑ Data logger which records flowrate, date, total flow ,signal condition... etc
- ❑ Response time less than 1 second



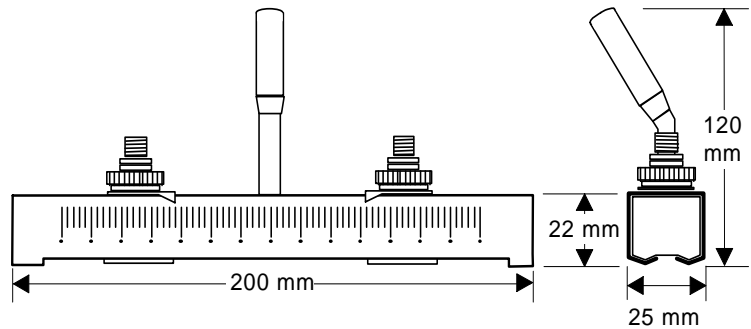
SPECIFICATION

- | | | | |
|-----------------------|---|-----------------------|--|
| ● Measuring Principle | : Transit time difference | ● Keypad | : 18 Key with tactile action |
| ● Pipe Size | : SS Type : 15 mm ~ 100 mm (1/2" ~ 4")
: MS Type : 50 mm ~ 700 mm (2" ~ 28")
: M Type : 50 mm ~ 700 mm (2" ~ 28")
: L Type : 300 mm ~ 6000 mm (12" ~ 240") | ● Response Time | : Less than 1 second |
| ● Pipe Material | : Cast Iron, Stainless Steel, Ductile Iron
Copper, PVC, Aluminum, Asbestos
Fiberglass... etc | ● Flow Velocity | : 0.01 ~ +/- 32 m/s |
| ● Liner Material | : Tar Epoxy, Rubber, Mortar, Polypropylene,
Polystyrol, Polystyrene, Polyester, Ebonite,
Polyethylene, Teflon... etc | ● Resolution | : 0.0001 m/s |
| ● Display | : 4 Line LCD with illumination
Flowrate : 5 digit with decimal point
Totalizer : 8 digit, Forward, Reverse & Net values
Engineer Unit : M3, Liter, US Gallon, Imperial Gallon,
Million Gallon, Cubic Feet, US Barrels,
Imperial Barrels, Oil Barrel
Time Unit : Second, Minute, Hour, Day
Other : Velocity, Date, Time, Signal condition | ● Ambient Temperature | : -20 ~ +50 °C |
| ● Accuracy | : +/- 1% ~ +/- 2% of reading(0.5 ~ 30 m/s)
: +/- 0.5% of reading (online calibration) | ● Ambient Humidity | : 90% RH or Less |
| ● Repeatability | : +/-0.2% of reading | ● Built-in Battery | : Ni-MH Battery |
| | | ● Operation Time | : > 10 Hours |
| | | ● Charger | : 90 ~ 260Vac 50/60 Hz, 8-12 Hr charging |
| | | ● Data Storage | : Operation parameters and totalization
data are stored by EEPROM for more
than 10 years |
| | | ● Data Logger | : 64 data include flowrate, totalizer,
time, date |
| | | ● Alarm | : High/Low with buzzer |
| | | ● Power consumption | : Less than 2W |
| | | ● Dimension | : 200 * 92 * 32 mm |
| | | ● Weight | : 0.54 Kg |
| | | ● Enclosure | |
| | | Converter | : IP65 |
| | | Sensor | : IP68(Submersible) |

SENSOR SPECIFICATION

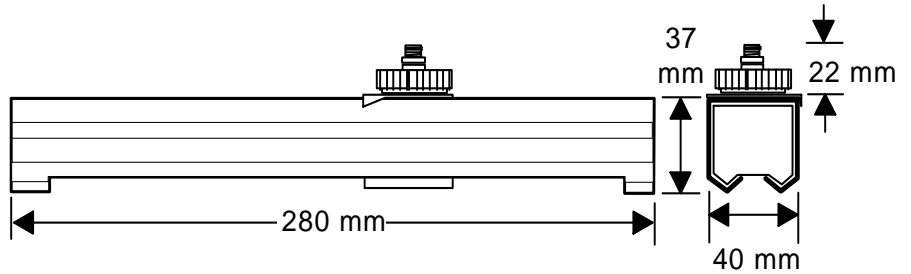
- Fluid Temperature : -20 ~ +110 °C
- SS Type

Pipe Size : 15 ~ 100 mm(1/2" ~ 4")
 Dimensions : 200 * 25 * 22 mm



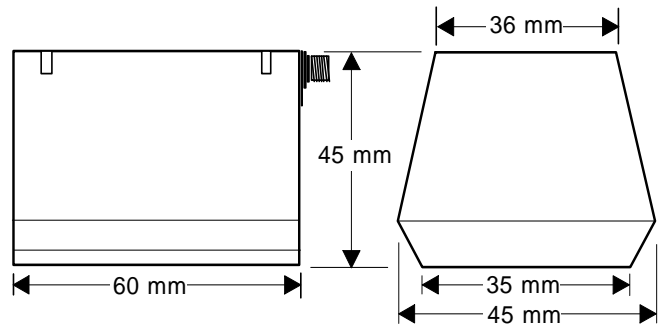
- MS Type

Pipe Size : 50 ~ 700 mm(2" ~ 28")
 Dimensions : 280 * 40 * 37 mm



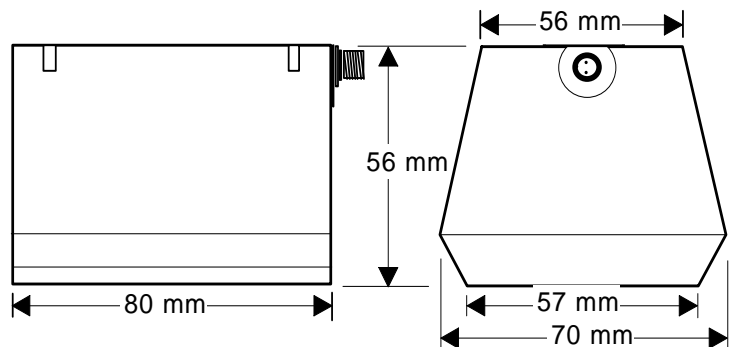
- M Type

Pipe Size : 50 ~ 700 mm(2" ~ 28")
 Dimensions : 60 * 45 * 45 mm

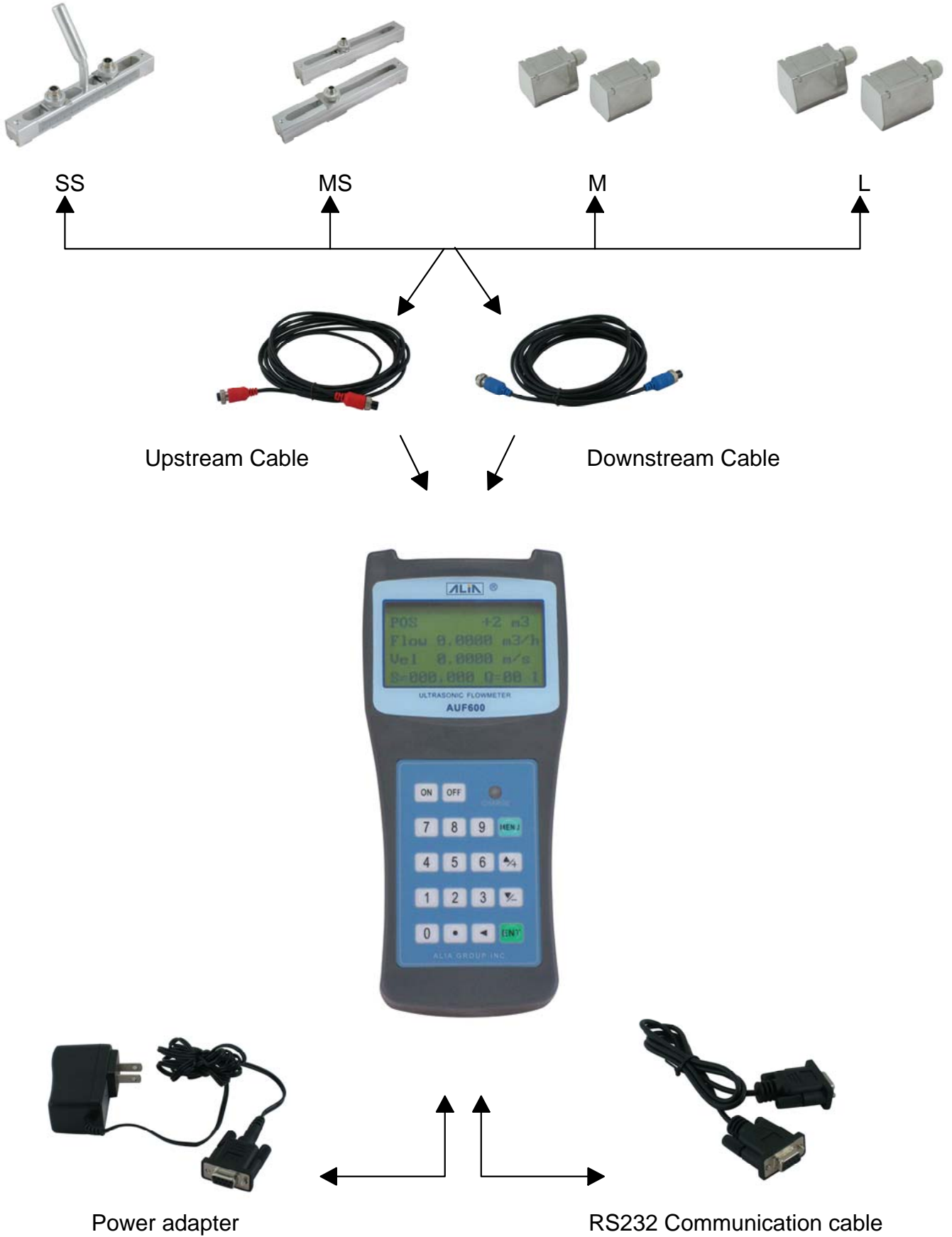


- L Type

Pipe Size : 300 ~ 6000 mm(12" ~ 240")
 Dimensions : 80 * 70 * 56 mm



COMBINATION FOR ULTRASONIC FLOWMETER



OTHER ACCESSORY



Measuring Tape



Silicone grease



Aluminum Carrying Case (Dimension: 470 * 380 * 110 mm)

MODEL SELECTION GUIDE

AUF600 Series			
Example 1: AUF600-MS-05		Example 2: AUF600-SS,MS-05,10	
AUF600-	XX	-XX	Description
Basic Selection	AUF600-		Basic Model, Include * AUF600 Converter * 1 set * Power Adapter (90-264 Vac, 50/60Hz) * 1 set * RS232 communication cable * 1 set * Silicone grease * 1 Jug * Aluminum Carrying Case
Detector		SS	Small Sensor with support tool, 15 ~ 100 mm(1/2" ~ 4")
		MS	Middle Sensor with support tool, 50 ~ 700 mm(2" ~ 28")
		M	Middle Sensor, 50 ~ 700 mm(2" ~ 28")
		L	Large Sensor, 300 ~ 6000 mm(12" ~ 240")
Cable Length		- 05	5M, 2 Cables
		- 10	10M, 2 Cables
		- 15	15M, 2 Cables