



ALIAPANEL

Paperless Recorder
Model ARC700 Series

GENERAL

ALIAPANEL ARC700 Series Paperless Recorder used the most Advanced technology, to be aimed to various industry application, and designed a small sized and lower power consumed, high accuracy, common use, it can also overcome the older big sized recorder, not easy installation...etc defects.

FEATURES

- Small sized(72mm*72mm), 128*64Pixels, Blue Screen
- 16MB memory installed inside, applied to long terms data record
- Common input signal, mA, VDC, T/C, RTD...etc signal
- High Accuracy +/-0.15% of Reading
- Maximum to 2 points Relay or 1 point 4-20mA output and 1 points 24VDC output
- Maximum can receive 4 channels input signal
- Could selected 24VDC Aux. Power supply for 2 wires system
- It can Display / Record single point, Multi-point, Trend, Bargraph
- The recorded data could be stored in USB memory, and take out to computer make soft analysis



SPECIFICATION

- Number of Inputs : 1, 2, 3, 4 Channels
- Inputs : T/C (K, S, B, E, J, N, T)
: RTD(PT100 Ω),CU50, CU100
: DCA(4-20 mA, 0-10 mA)
: DCV(0-5V, 1-5V)
- Accuracy : +/-0.15% of Span
- Response Time : 80 ms
- Alarm Function : Up to four points per channel
- Alarm Types : High and Low Limits, High-High,
Low-Low
- Output : 4-20 mA, 1 point
: Relay, 1A/600V, SPDT, up to 2 points
- Aux. Power supply : 24VDC, 85 mA max. for Transmitter
- Storage Memory : 16MB(on board)
- Recycling Mode : Newest Data over-writes to oldest data
- Recording Data Shift : USB memory(1GB)
- Display update Rate : 1 Second
- Keyboard : 4 Keys (SET, Shift, UP, Down) for
programming and display control
- Parameter Storage : Operation Parameters are stored by
EEPROM for more then 10 years
- Display : 2-Inch Blue Screen LCD(128 * 64 Pixels)
Trend & Bargraph : Horizontal
Digital : 4-1/2 digits programmable
Engineer unit : 52 Engineering units
Parameter Protect : Password entry
- Data saving Period : 1 Second to 3600 Seconds
- Recording Capability : 144 Hours(4 Points, 1 Data/Second)
: 376 Years(1 Point, 1 Data/Hour)
- Password Protection : 6 Digits
- PC software : Compatible with Windows 2000/XP/Vista
Display : Trend, Digital, Circular, Alarm, Bargraph
Convert function : can be save as excel files
- Enclosure : NEMA 3 / IP 54
- Weight : 0.4 Kg maximum
- Dimensions : 72 mm (W) * 72 mm (H) * 100 mm (D)
- Ambient Temperature : -10 to +55 °C
- Ambient Humidity : 10% to 85%RH (at 5 to 40 °C)
- Power Supply : 90-260VAC, 50/60Hz
- Power Consumption : 5 W
- Communication : RS 485 (MODBUS Protocol)

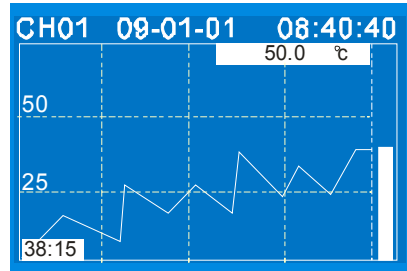
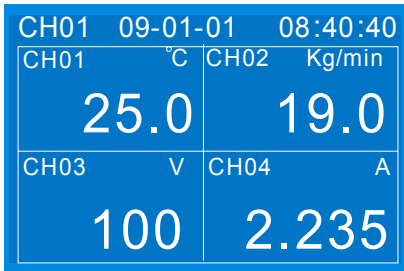
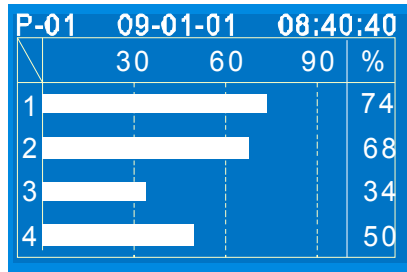
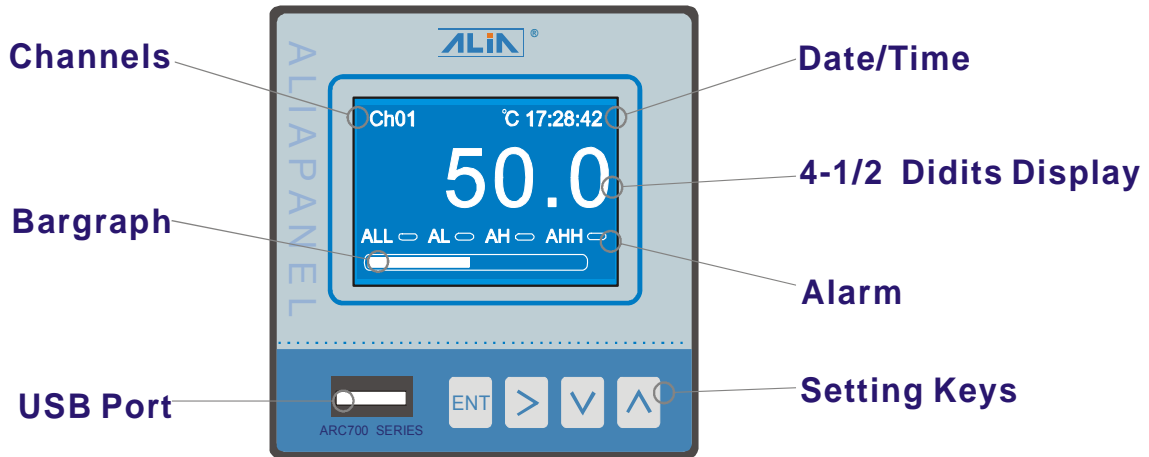


ALIA GROUP INC.

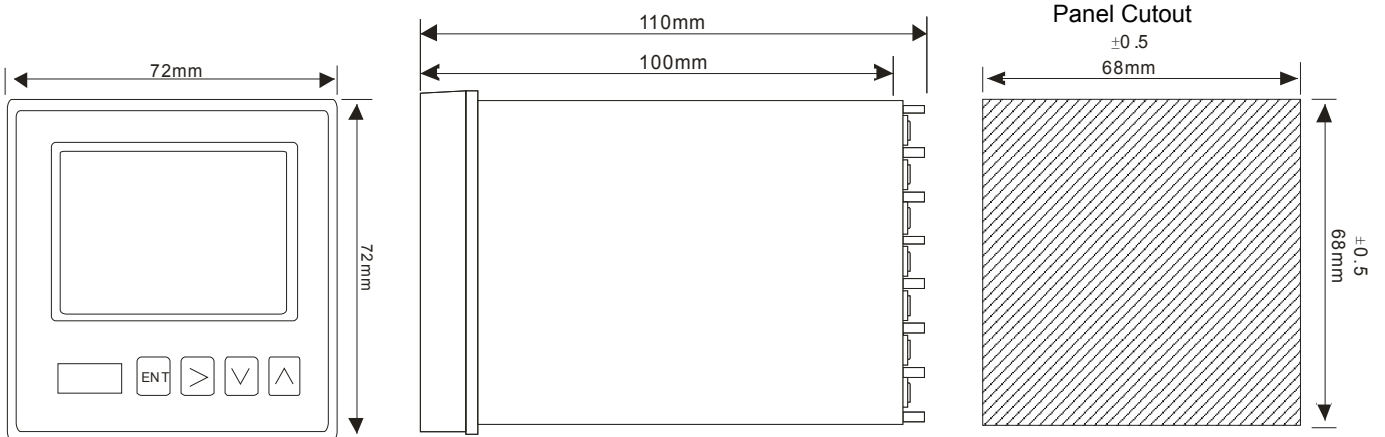
113 Barksdale Professional Center, Newark, DE 19711, USA
TEL : + 1 - 302 - 213 - 0106 FAX : + 1 - 302 - 213 - 0107

URL : www.alia-inc.com
E-mail : alia@alia-inc.com
ARC700V1.1.5.r1.en

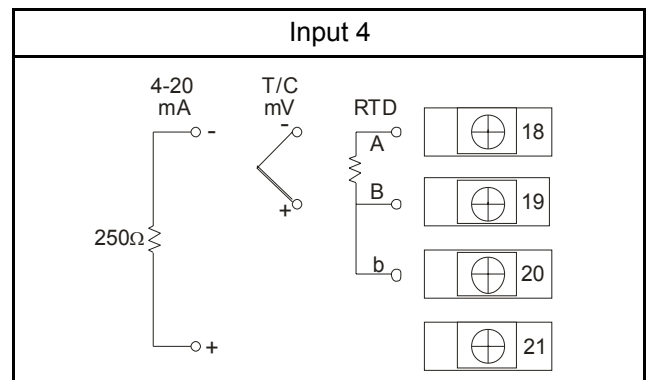
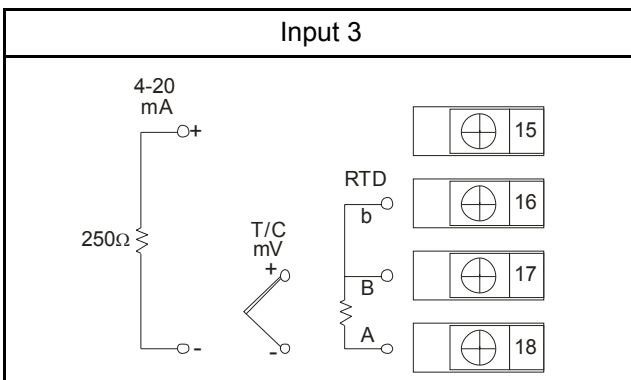
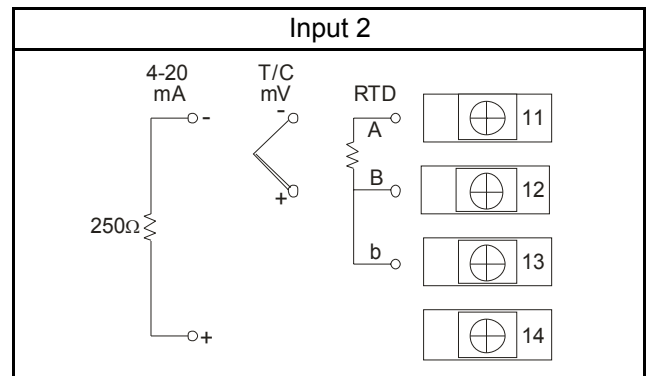
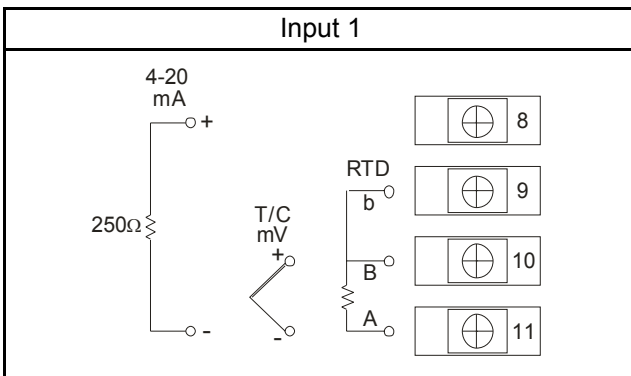
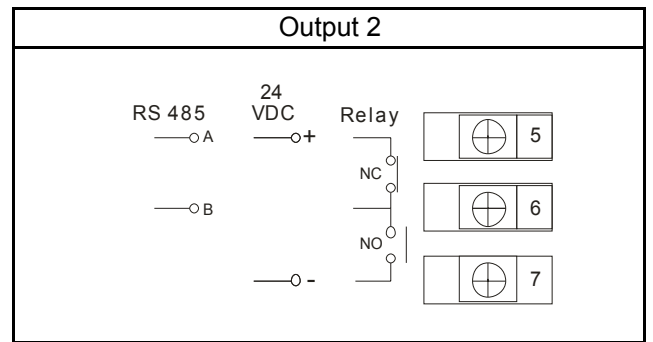
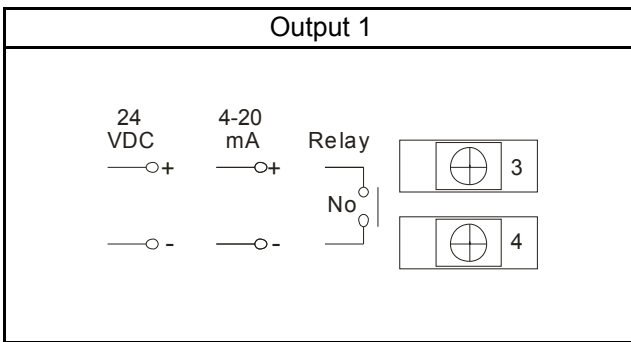
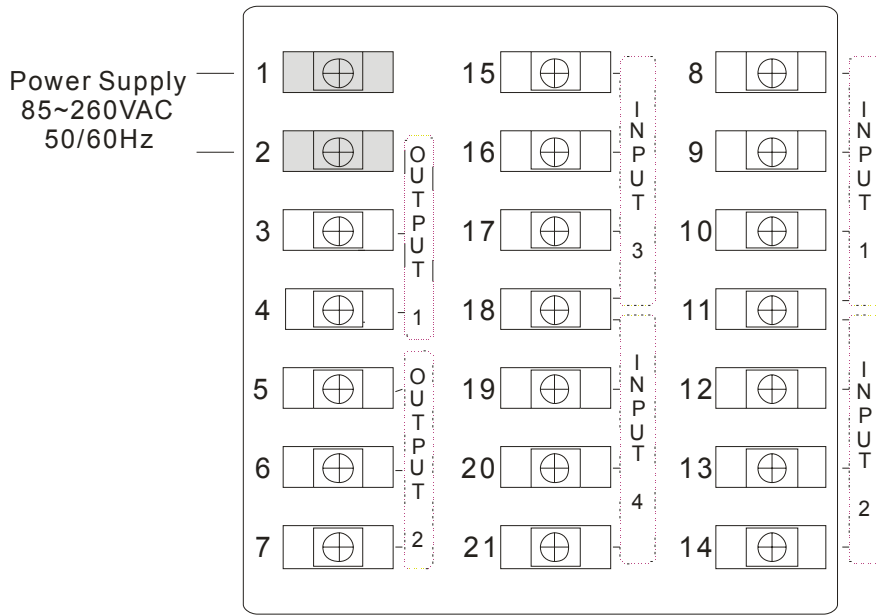
➤ **Functions**



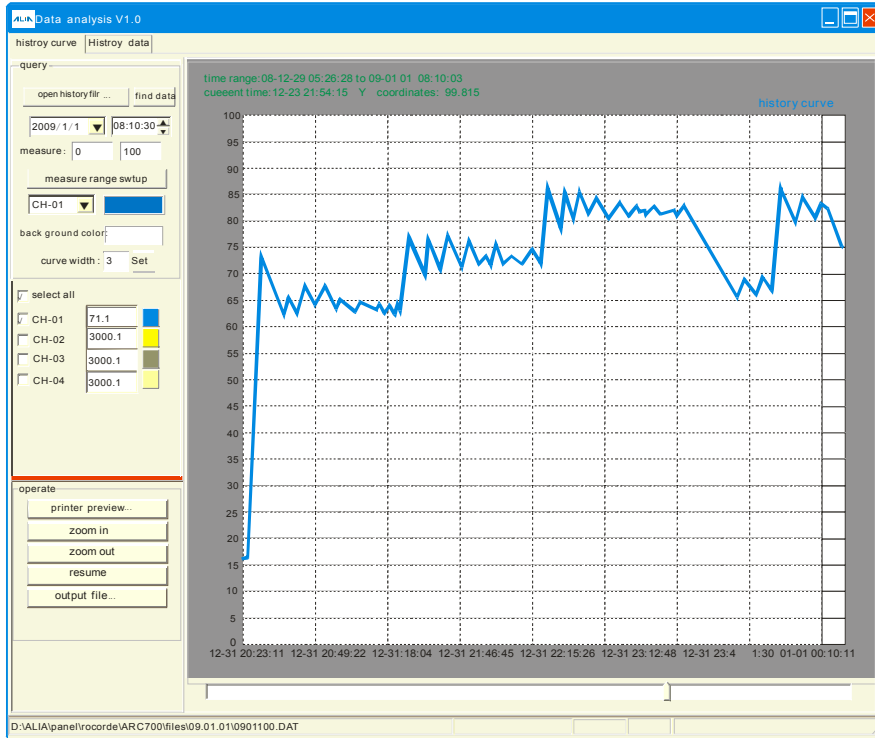
➤ **DIMENSIONS**



Wiring



➤ Analysis Software



➤ Standard Accessory

* 1GB USB Memory Disk (Within Advanced software)



➤ Model Selection Guide

ARC700 Series								
Example:ARC700-3-A-V-R2								
ARC700-	X-	X	X	X	X	X	X	Description
Input Channels	1-							1 Channel Universal Input
	2-							2 Channel Universal Input
	3-							3 Channel Universal Input
	4-							4 Channel Universal Input
Channel 1 Output	N-							None
	A-							4-20 mA
	R-							Relay
	V-							24 VDC for two wires transmitter(85 mA Max.) *Note1
Channel 2 Output	N-							none
	C-							Rs485 (MODBUS)
	R-							Relay
	V-							24 VDC for two wires transmitter(85 mA Max.) *Note1
Option							N	None
							<input type="checkbox"/> R	250 ohm Resistors (For 4-20 mA Input), +/-0.1% *Note2

Note1 :24VDC(85 mA) output only can choose one from Channel 1 or Channel 2, you can't select 24 VDC both

Note2 : "R1"=250Ω resistance*1pc, "R2"=250Ω resistance*2pcs, "R3"=250Ω resistance*3pcs, "R4"=250Ω resistance*4pcs