

GENERAL

ALIAMAG AMF600 Series is a sanitary type electromagnetic Flowmeter ideal for conductive liquids. It comes in sizes from 25 to 100 mm.

The AMF600 is widely used for drink water, Milk, food & beverage juice and many other industrial fluid.

AMF600 Series electromagnetic flowmeter could be used in compact or separate model with AMC Series converter of electromagnetic Flowmeter.

FEATURES

- ❑ Light and compact version
- ❑ Flow Velocity range: 0-12 m/s, with precisely measure for low flow applications
- ❑ IDF Tri-Clamp or Union screw Connection
- ❑ It excellent for high pressure application
- ❑ Protection class: IP68 is available, and the sensor can sink into the water
- ❑ FEP Liner is suit for vacuum tube
- ❑ High accuracy of +/-0.4% value of reading (or +/-0.2% value of reading)
- ❑ With Forward/Reverse flowrate measure function



SPECIFICATION

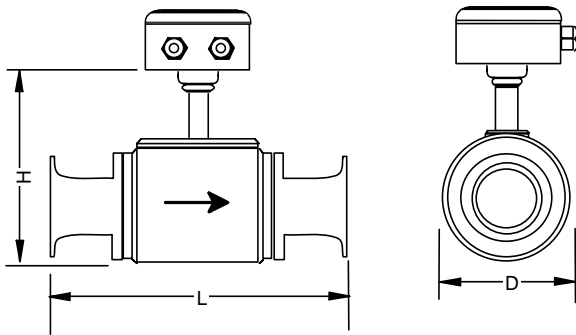
- | | | | |
|-------------------------|--|------------------------|---|
| ● Size | : 25,32,40,50,65,80,100 | ● Cable Entry | : 2 X PG11 |
| ● Measuring Range | : Velocity 0-0.25 m/s min.
0-12 m/s max. | ● Ambient Temperature | : -25 to +60 °C |
| ● Material | | ● Process Connection | : IDF Tri-Clamp
Union Screw |
| Tube & Connection | : Stainless Steel 304 or 316 | ● Grounding Resistance | : Must be less then 10 Ω |
| Coil Housing | : Carbon Steel (standard)
: Stainless Steel 304(OPTION)
: Stainless Steel 316(OPTION) | ● Accuracy | : +/-0.5% read-out values (Velocity >= 0.5 m/s)
: +/-0.2% read-out values
(Suit for AMC3100 Converter only) |
| ● Liner | : FEP | | : +/-0.0025 m/s (Velocity < 0.5 m/s) |
| ● Protection | : IP 68
: IP68(Submersible) | ● Temperature | : -40 to +180 °C |
| ● Conductivity | : More than 5 uS/cm | ● Max. Pressure | : 10 Kg/cm2 (standard)
: 40 Kg/cm2(option) |
| ● Electrode & Grounding | : Stainless Steel 316L
: Hastelloy B
: Hastelloy C
: Titanium
: Tantalum
: Tungsten Carbide
: Platinum | ● Explosion Proof | : Exd(ib)ibqIBT5
(with AMC3100 only) |

FLOW RANGE

Unit: M³/Hr

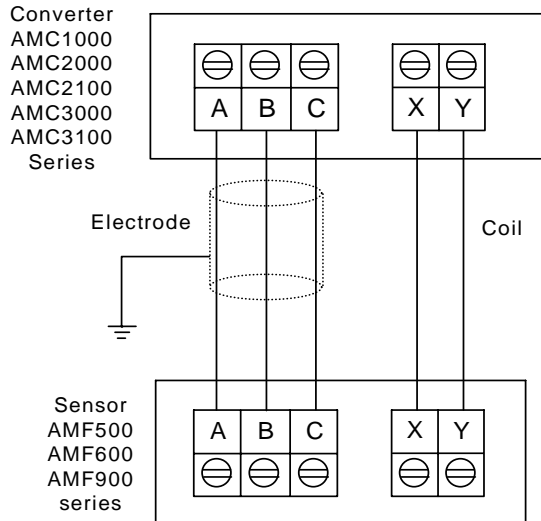
Normal Size		Flow Range & Velocity Table						
mm	Inch	Min.	1.0 M/S	2.0 M/S	3.0 M/S	5.0 M/S	10.0 M/S	Max.
		0 - 0.25M/S						0 - 12 M/S
25	1"	0 to 0.44	1.77	3.53	5.30	8.84	17.7	0 to 21.2
32	1-1/4"	0 to 0.72	2.90	5.79	8.69	14.5	29.0	0 to 34.7
40	1-1/2"	0 to 1.13	4.52	9.05	13.6	22.6	45.2	0 to 54.3
50	2"	0 to 1.77	7.07	14.1	21.2	35.3	70.7	0 to 84.8
65	2-1/2"	0 to 2.99	11.9	23.9	35.8	59.7	119	0 to 143
80	3"	0 to 4.52	18.1	36.2	54.3	90.5	181	0 to 217
100	4"	0 to 7.07	28.3	56.5	84.8	141	283	0 to 339

DIMENSIONS



Size		Dimensions (mm)			Weight
mm	Inch	L	D	H	Kg
25	1"	180	71	142	4.5
32	1-1/4"	190	82	152	5
40	1-1/2"	190	91	160	5.6
50	2"	200	104	175	6.7
65	2-1/2"	210	124	195	7.9
80	3"	220	139	210	10.0
100	4"	235	159	230	10.6

ELECTRICAL CONNECTION



MODEL SELECTION GUIDE

AMF600 Series									
Example:AMF600-080-CET0-050-N									
AMF600-	XXX	-X	X	X	X-	XXX	-X	Description	
Size	025 ~ 100							25 ~ 100mm	
Electrode Material	-S						Stainless Steel 316L		
	-T						Titanium		
	-B						Hastelloy B		
	-C						Hastelloy C		
	-A						Tantalum		
	-P						Platinum		
	-U						Tungsten Carbide		
	-Z						Others		
Grounding	N						None		
	E						Grounding Electrode(3 Electrode)		
	R						Grounding Ring(S.S.316)		
	A						Grounding & Protection Ring(S.S.316)		
Connection	T						Tri-Clamps		
	S						Screw Unions(DIN 11851)		
Housing Material	0-						Carbon Steel (standard)		
	8-						S.S.304 Housing		
	9-						S.S.316 Housing		
Installation & Cable length	NNN							Compact version	
	010~300							Separate version, Cable 10M ~ 300M	
Option	-N						None		
	-X						Explosion Proof,Exd(ib)ibqIIBT5(with AMC3100 only)		
	-P						Pressure higher then standard		
	-T						Max. Temp. higher then 120°C		