

GENERAL

ALIAMAG AMF300 Series is a threaded type electromagnetic Flowmeter ideal for conductive liquids. It comes in sizes from 2.5 to 40 mm.

The AMF300 is widely used for tap-water, waste water, food & beverage, Pulp & Paper and many other industrial fluid.

AMF300 Series electromagnetic flowmeter could be used in compact or separate model with AMC Series converter of electromagnetic Flowmeter.



FEATURES

- Light and compact version
- Flow Velocity range: 0-12 m/s, with precisely measure for low flow applications
- Interface thread piping
- FEP Liner is suit for vacuum tube
- High accuracy of +/-0.4% value of reading (or +/-0.2% value of reading)
- With Forward/Reverse flowrate measure function

SPECIFICATION

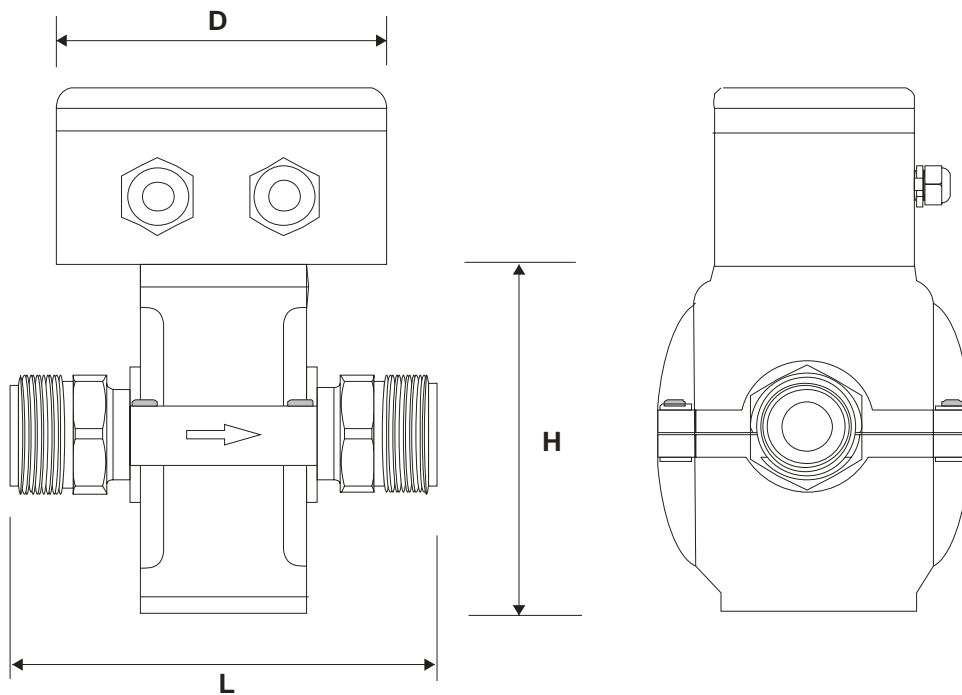
- Size : 2.5 , 5 , 10 , 15 , 20 , 25 , 32 , 40 mm
- Measuring Range : Velocity 0-0.25 m/s min.
0-12 m/s max.
- Material
 - Tube & Connection : Stainless Steel 304
 - Coil Housing : PVC
 - Liner : FEP
 - Electrode : Stainless Steel 316L (DN2.5~DN40)
 - : Titanium (DN2.5~DN40)
 - : Hastelloy B (DN2.5~DN40)
 - : Hastelloy C (DN2.5~DN40)
 - : Tantalum (DN2.5~DN40)
 - : Platinum (DN20~DN40)
- Flow Range
 - 2.5 mm (1/8") : 0 - 4.4 Liter/Hr ~ 0 - 212 Liter/Hr
 - 5 mm (1/4") : 0 - 18 Liter/Hr ~ 0 - 848 Liter/Hr
 - 10 mm (3/8") : 0 - 71 Liter/Hr ~ 0 - 3393 Liter/Hr
 - 15 mm (1/2") : 0 - 159 Liter/Hr ~ 0 - 7634 Liter/Hr
 - 20 mm (3/4") : 0 - 283 Liter/Hr ~ 0 - 13571 Liter/Hr
 - 25 mm (1") : 0 - 442 Liter/Hr ~ 0 - 21205 Liter/Hr
 - 32mm (1-1/4") : 0 - 724 Liter/Hr ~ 0 - 34743 Liter/Hr
 - 40mm (1-1/2") : 0 -1131 Liter/Hr ~ 0 - 54286 Liter/Hr
- Cable Entry : 2 X PG11
- Ambient Temperature : -25 to +60 °C
- Process Connection : Screw male thread (BSP)
- Grounding Resistance : Must be less then 10 Ω
- Accuracy : +/-0.4% read-out values(Velocity>=0.5 m/s)
: +/-0.2% read-out values
(Suit for AMC3100 Converter only)
: +/-0.0025 m/s (Velocity < 0.5 m/s)
- Temperature
 - Compact : -10 ~ +80 °C
 - Separate : -20 ~ +120 °C
- Max. Pressure : 16 Kg/cm2
- Explosion Proof : Exd(ib)ibqIBT5 (with AMC3100 only)
- Protection : IP 67
- Conductivity : More than 5 uS/cm

FLOW RANGE

Unit: Liter/Hr

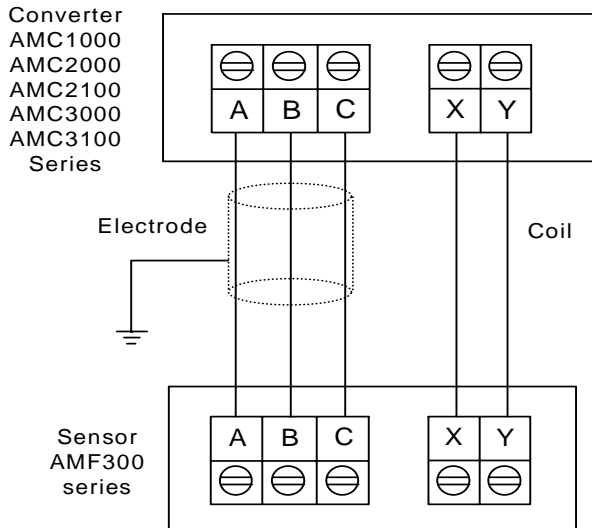
Normal Size		Flow Range & Velocity Table						
mm	Inch	Min. 0 - 0.25M/S	1.0 M/S	2.0 M/S	3.0 M/S	5.0 M/S	10.0 M/S	Max. 0 - 12 M/S
2.5	1/8"	0 to 4.4	18	35	53	88	177	0 to 212
5	1/4"	0 to 18	71	141	212	353	707	0 to 848
10	3/8"	0 to 71	283	565	848	1,414	2,827	0 to 3,393
15	1/2"	0 to 159	636	1,272	1,908	3,181	6,362	0 to 7,634
20	3/4"	0 to 283	1,131	2,262	3,393	5,655	11,309	0 to 13,571
25	1"	0 to 442	1,767	3,534	5,301	8,836	17,671	0 to 21,205
32	1-1/4"	0 to 724	2,895	5,790	8,686	14,476	28,952	0 to 34,743
40	1-1/2"	0 to 1,131	4,524	9,048	13,571	22,619	45,238	0 to 54,286

DIMENSIONS



Size		Connection	Dimensions (mm)			Weight kg
mm	Inch		L	D	H	
2.5	1/8"	1/2" BSP	110	97	106	1
5	1/4"		110	97	106	1
10	3/8"	3/4" BSP	110	97	106	1.2
15	1/2"		110	97	106	1.2
20	3/4"	1" BSP	130	97	106	1.5
25	1"	1-1/4" BSP	130	97	106	1.5
32	1-1/4"	1-1/2" BSP	140	97	128	1.8
40	1-1/2"	2" BSP	140	97	128	2

ELECTRICAL CONNECTION



MODEL SELECTION GUIDE

AMF300 Series					
Example:AMF300-05-C-050-N					
AMF300-	XX	-X	XXX	-X	Description
Size	2.5 ~40				2.5, 05, 10, 15, 20, 25, 32, 40mm
Electrode Material		-S			Stainless Steel 316L (DN2.5~DN40)
		-T			Titanium (DN2.5~DN40)
		-B			Hastelloy B (DN2.5~DN40)
		-C			Hastelloy C (DN2.5~DN40)
		-A			Tantalum (DN2.5~DN40)
		-P			Platinum (DN20~DN40)
		-Z			Others
Installation & Cable length		NNN			Compact version
		010~300			Separate version, Cable 10M ~ 300M
Option				-N	None
				-X	Explosion Proof,Exd(ib)ibqIIBT5(with AMC3100 only)