

GENERAL

ALIAMAG AMC3100 series Converter can be used with AMF series flow tubes in both compact or separate versions.

FEATURES

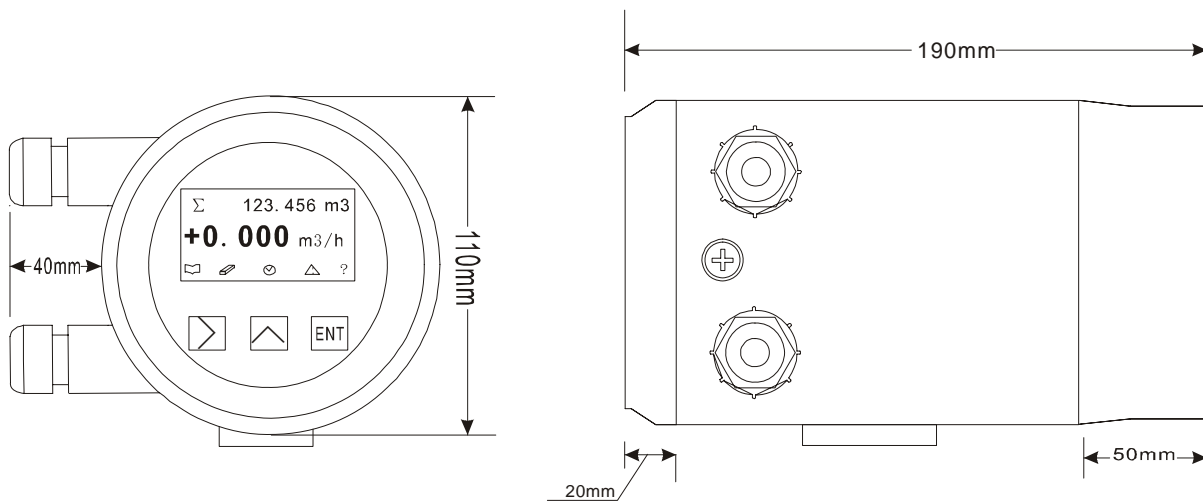
- Three line LCD display Flow rate/Totalizer
- Accuracy of +/-0.2% value of reading
- Bi-directional flow measurement, current and pulse output
- Explosion Proof, Exd(ib)ibqllBT5
- 99 times flowrate records for power on/off
- MODBUS/HART communication

STANDARD SPECIFICATION

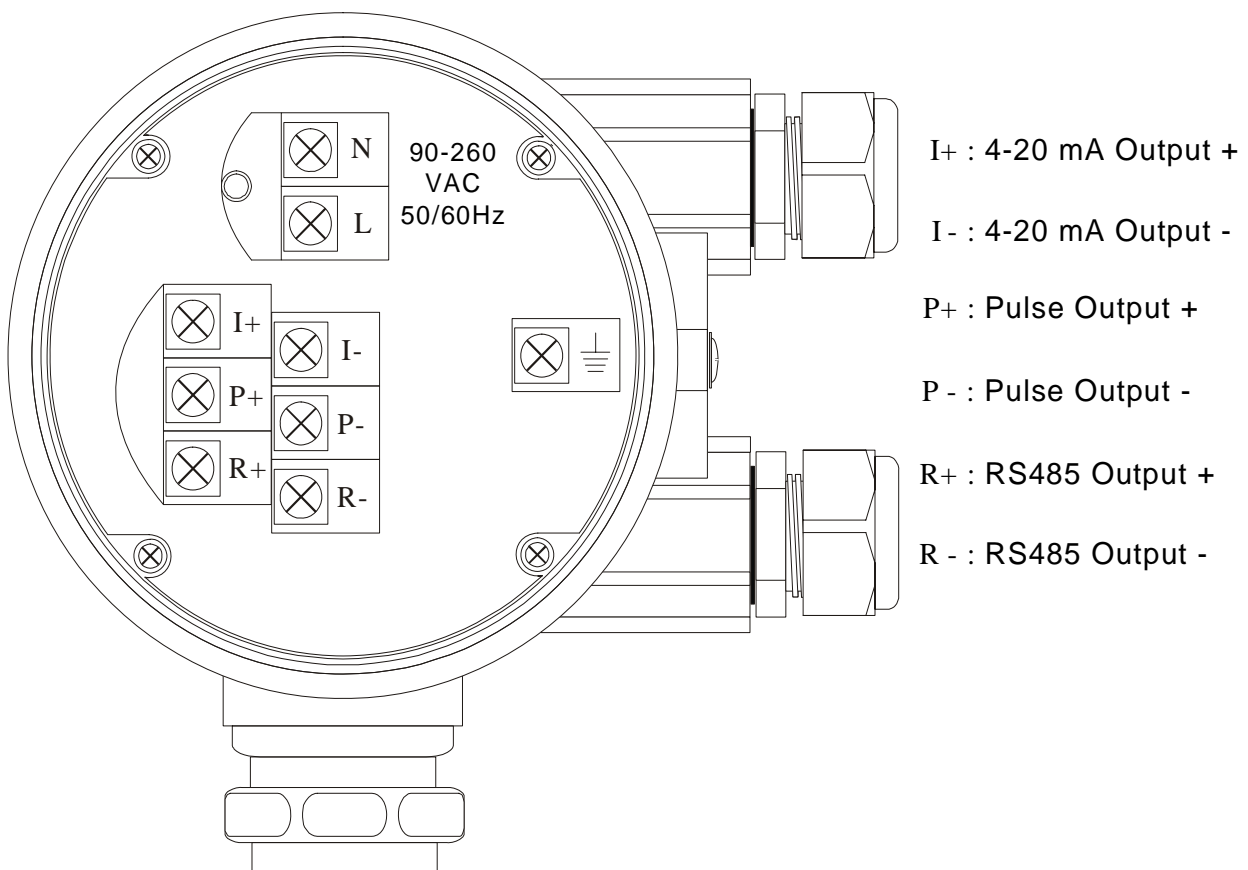
- | | | | |
|-------------------|---|-----------------------|--|
| ● Excitation | : Square wave | ● Keyboard | : 3 keys from external for programming and display control.
Remote 3 keyboard switch, can be programming without open the cover |
| ● Display | : 3 lines LCD with illumination | ● Low Flow Cutoff | : 0 to 9.9 % |
| Line 1 | : 11 digit totalizer for forward flow | ● Datalogger Function | : 99times flowrate records for power on/off |
| | : 11 digit totalizer for reverse flow | ● Record Data | : Date/Time when Power on/off
: Flow rate when Power on/off
: Totalizer when Power on/off |
| | : 11 digit totalizer for difference | ● Damping | : 0 to 99 Second |
| Line 2 | : 5 digit flowrate / Velocity / % / mA / HZ | ● Density Setting | : 0.1 to 9.99 g/cm3 |
| Line 3 | : Parameter / Query / Clr tot / Query LOG
Alarm, Guidance | ● Self Diagnosis | : The following error message is indicated during application
- Coil fail
- Power fail
- Output overanged
- Internal error
- Overflow
- Empty pipe |
| Unit | : M3/H , L/H , Kg/H , T/H , L/min
: M3/min , GPH , GPM | ● Cable Entry | : 2 X PG 11 |
| ● Measuring Range | : Min. 0 to 0.15 m/s
: Max. 0 to 15 m/s | ● Protection Class | : IP 67, Explosion proof, Exd(ib)ibqllBT5 |
| ● Accuracy | : +/-0.2% read-out values (Velocity >= 0.5 m/s)
: +/-0.001 m/s (Velocity < 0.5 m/s) | ● Ambient Temperature | : -25 to +65 °C |
| ● Repeatability | : +/-0.05% read-out values | ● Material | : Aluminum Alloy |
| ● Current Output | : 4-20 mA (Isolated)
Load : Max. 600 W | ● Power Supply | : 90-260 Vac, 50/60 Hz
: 24Vdc +/-10%(Option) |
| ● Pulse output | : Open collector
Rating : 3 to 30 Vdc, 20 mA Max. | ● Power Consumption | : 3-17 W (depending on the sensor size) |
| ● Pulse Rate | : 1)Scale pulse, (Pusle/M3, Pulse/L, Other)
: 2)Frequency, 0-5000 Hz | ● Weight | : 4.5 Kg |
| ● Pulse Width | : 50% of band width | ● Mounting | : Wall mounting
: Bracket on 2" pipe |
| ● Alarms | : High/Low with open collector output
Rating : 3 to 30 Vdc, 20 mA Max. | | |
| ● Communication | : RS 485(MODBUS Protocol)
: HART signal | | |
| ● Data Storage | : Operation parameters and totalization figures are stored by EEPROM for more than 10 years | | |



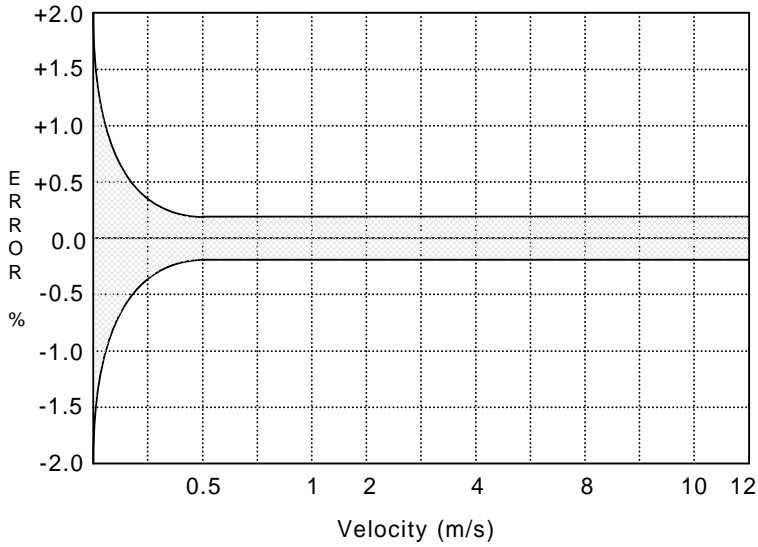
➤ DIMENSION



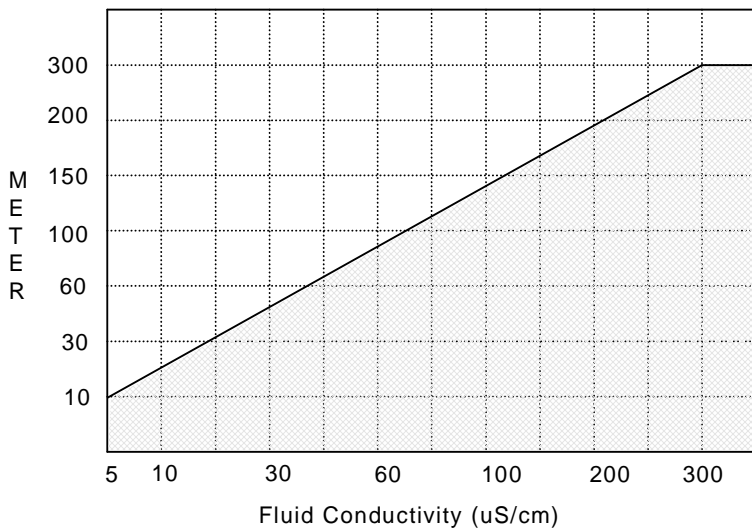
➤ ELECTRICAL CONNECTION



➤ ACCURACY



➤ CABLE LENGTH BETWEEN SENSOR TO CONVERTER



➤ MODEL SELECTION GUIDE

AMC3100 Series					
Example: AMC3100-AC-CP-EX-HT					
AMC3100-	XX-	XX-	XX-	XX	Description
Power supply	AC-				90-260 Vac, 50/60 Hz
	DC-				24Vdc, +/-10%
Mounting		CP-			Compact with Sensor
			SW-		Separate, wall mounting
				S2-	Separate, 2" mounting bracket
Enclosure			NN-		IP67
				EX-	Explosion Proof, Exd(ib)IIBT5
Communication				NN	RS 485(MODBUS Protocol)
				HT	HART signal