



# ALIAMAG

## Converter For Electromagnetic Flowmeter

### Model AMC2100 Series

## GENERAL

ALIAMAG AMC2100 series Converter can be used with AMF series flow tubes in both compact or separate versions.

## FEATURES

- ☐ Three line LCD display Flow rate/Totalizer
- ☐ Accuracy of +/-0.4% value of reading
- ☐ Bi-directional flow measurement, current and pulse output
- ☐ Large digital display
- ☐ 99 times flowrate records for power on/off
- ☐ MODBUS/HART communication

## STANDARD SPECIFICATION



- Excitation : Square wave
- Display : 3 lines LCD with illumination
  - Line 1 : 11 digit totalizer for forward flow  
11 digit totalizer for reverse flow  
11 digit totalizer for difference
  - Line 2 : 5 digit flowrate / Velocity / % / mA / HZ
  - Line 3 : Parameter / Query / Clr tot / Query LOG  
Alarm, Guidance
  - Unit : M3/H , L/H , Kg/H , T/H , L/min  
M3/min , GPH , GPM
- Measuring Range : Min. 0 to 0.15 m/s  
: Max. 0 to 15 m/s
- Accuracy : +/-0.4% read-out values (Velocity >= 0.5 m/s)  
: +/-0.002 m/s (Velocity < 0.5 m/s)
- Repeatability : +/-0.1% read-out values
- Current Output : 4-20 mA (Isolated)  
Load : Max. 600 Ω
- Pulse output : Open collector  
Rating : 3 to 30 VDC, 20 mA Max.
- Pulse Rate : 1)Scale pulse, (Pulse/M3, Pulse/L, Other)  
: 2)Frequency, 0-5000 Hz
- Pulse Width : 50% of band width
- Alarms : High/Low with open collector output  
Rating : 3 to 30 VDC, 20 mA Max.
- Communication : RS 485(MODBUS Protocol)  
: HART signal
- Data Storage : Operation parameters and totalization figures are stored by EEPROM for more than 10 years
- Keyboard : 3 keys from external for programming and display control.
- Low Flow Cutoff : 0 to 9.9 %
- Datalogger Function : 99 times flowrate records for power on/off
- Record Data : Date/Time when Power on/off  
: Flow rate when Power on/off  
: Totalizer when Power on/off
- Damping : 0 to 99 Second
- Density Setting : 0.1 to 9.99 g/cm2
- Self Diagnosis : The following error message is indicated during application
  - Coil fail
  - Power fail
  - Output overranged
  - Internal error
  - Overflow
  - Empty pipe
- Cable Entry : 4 X PG 11
- Protection Class : IP 65
- Ambient Temperature : -25 to +65 °C
- Material : Aluminum Alloy
- Power Supply : 90-260 VAC, 50/60 Hz  
: 24VDC +/-10%(Option)
- Power Consumption : 3-17 W (depending on the sensor size)
- Weight : 1.4 Kg
- Mounting : Wall mounting  
: Bracket on 2" pipe

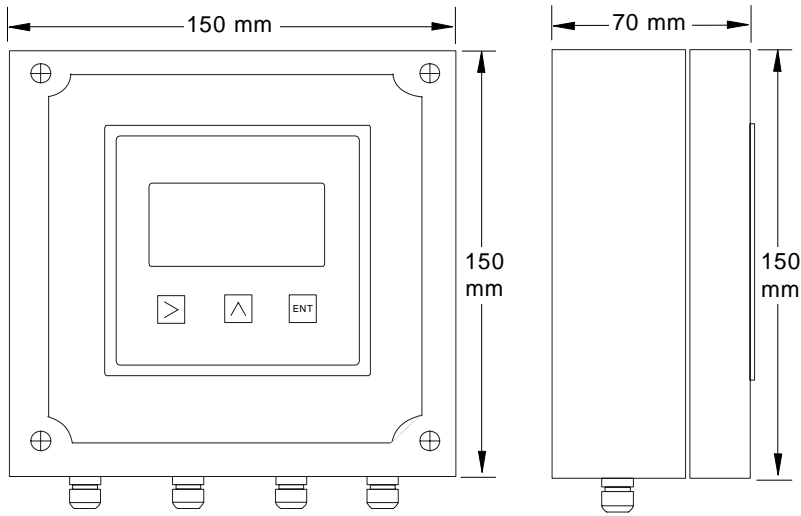


### ALIA GROUP INC.

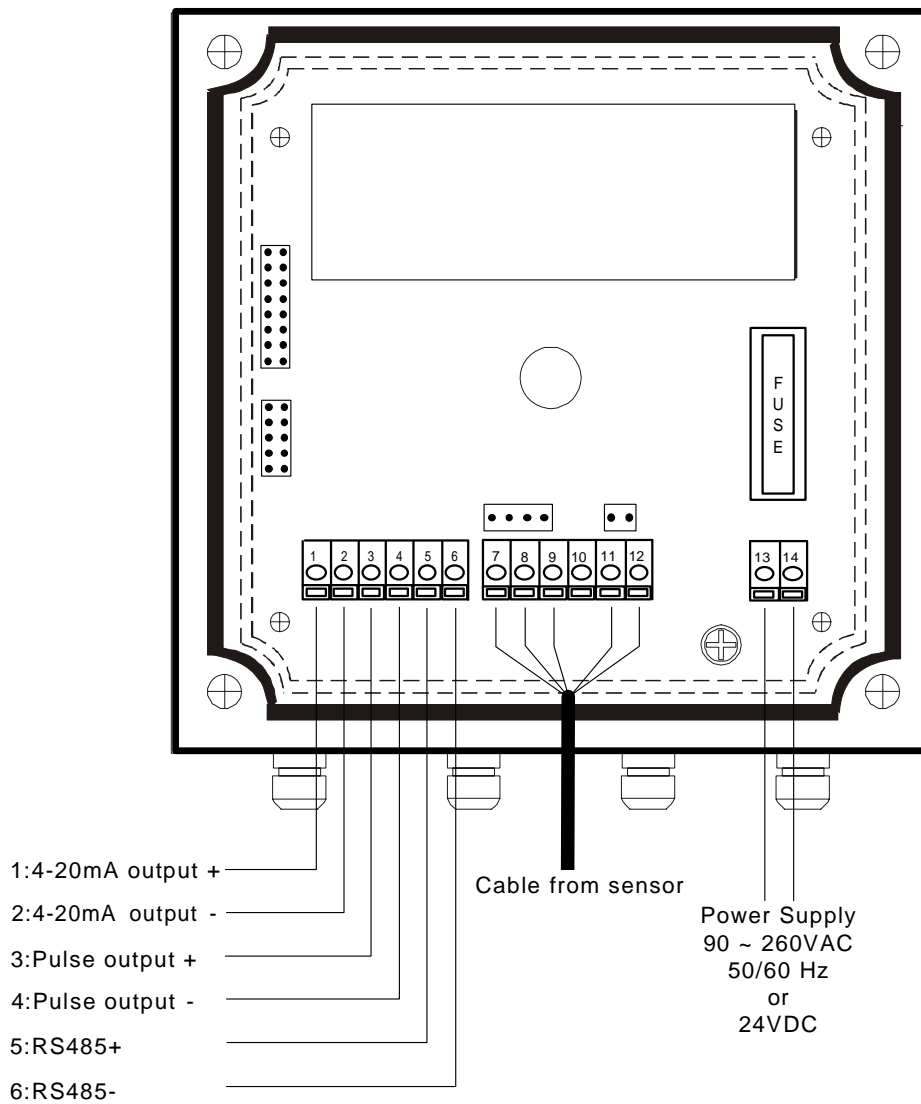
113 Barksdale Professional Center, Newark, DE 19711, USA  
TEL : + 1 - 302 - 213 - 0106 FAX : + 1 - 302 - 213 - 0107

URL : [www.alia-inc.com](http://www.alia-inc.com)  
E-mail : [alia@alia-inc.com](mailto:alia@alia-inc.com)  
AMC2100V1.1.5en

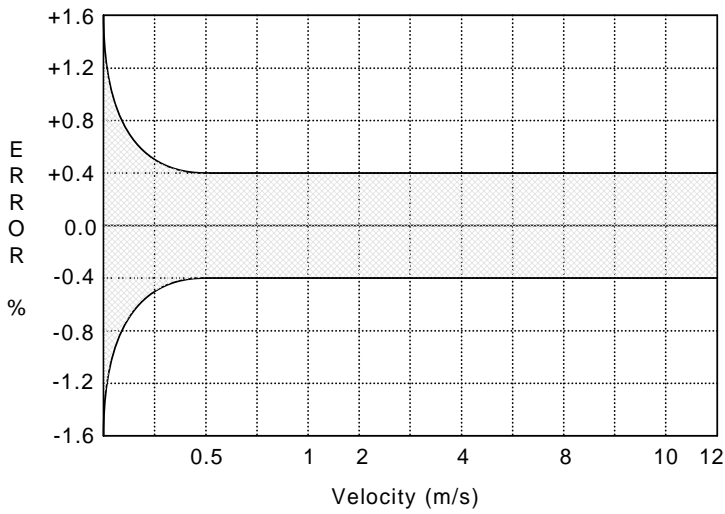
**➤ DIMENSION**



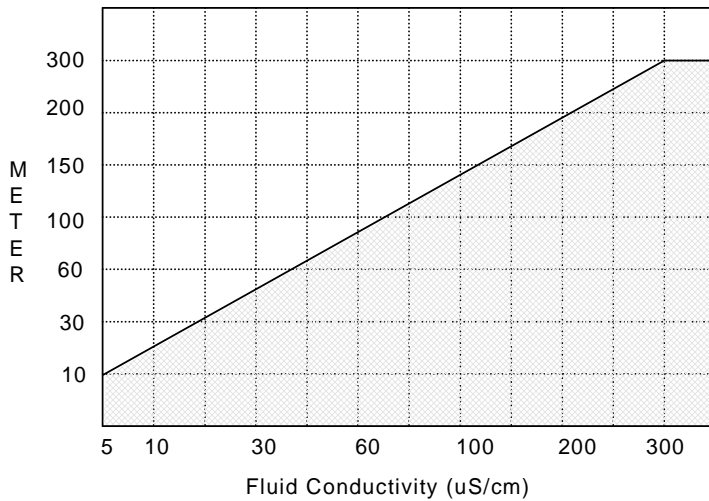
**➤ ELECTRICAL CONNECTION**



**➤ ACCURACY**



**➤ CABLE LENGTH BETWEEN SENSOR TO CONVERTER**



**➤ MODEL SELECTION GUIDE**

AMC2100 Series				
Example: AMC2100-AC-CP-HT				
AMC2100-	XX-	XX-	XX	Description
Power supply	AC-			90-260 Vac, 50/60 Hz
	DC-			24Vdc, +/-10%
Mounting		CP-		Compact with Sensor
		SW-		Separate, wall mounting
		S2-		Separate, 2" mounting bracket
Communication		NN		RS 485(MODBUS Protocol)
		HT		HART signal