

GENERAL

ALIADP ADP9000L series is a digital differential pressure transmitter designed for industrial level measurement applications. The ADP9000L offer Configurations for Differential, gas, absolute Vacuum liquid-Level measurements including integrated solutions for pressure, level and flow.

FEATURES

- Updating time of output current in 200 ms
- Improved performance, increased accuracy, greater stability
- Two Years stability of 0.15%
- 0.075% accuracy
- Parameter setting by local keypad
- 4-20 mA output plus direct digital HART communication
- Automatic zero calibration by push button
- Explosion proof and weather proof housing

SPECIFICATION

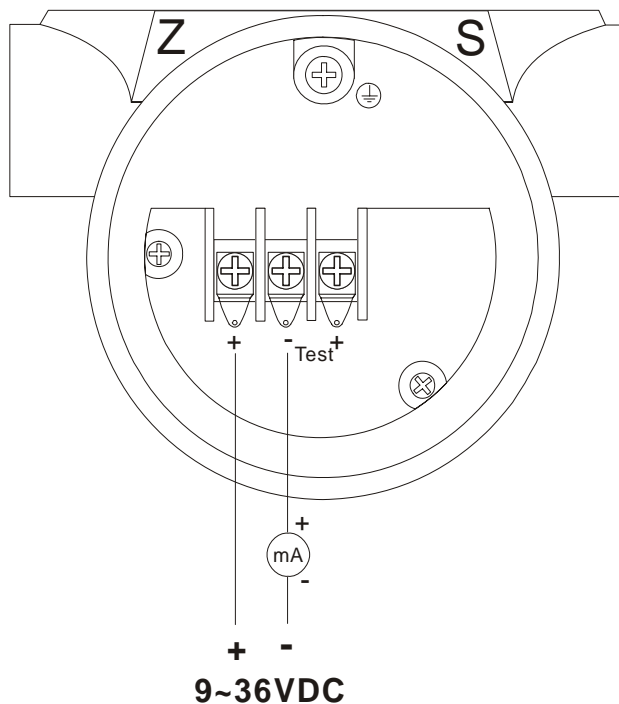
- | | | | |
|-----------------------|---|--------------------------|---|
| ● Process Fluid | : Liquid, Gas or Vapor | ● Display | : 5 Digits programmable & 0-100% Bargraph |
| ● Application | : Liquid Level, Differential Pressure, Gauge Pressure, Absolute Pressure | ● Display Unit | : Standard 22 engineering unit
5 Digits programmable for special unit |
| ● Measuring Range | : 0 - 0.125 Kpa ~ 0 - 1.5 Kpa (Minimum)
: 0 - 4.0 Mpa ~ 0 - 25.0 Mpa (Maximum) | ● Keyboard | : 3 keys from internal for Programming and output setting |
| ● Turn Down Ratio | : 1 : 100 | ● Current Output | : 4 - 20 mA 2 wires with Hart Signal
Load : Rohm=(Vdc-9)*50 |
| ● Accuracy | : +/- 0.075% of span | ● Power Supply | : 9 - 36 VDC |
| ● Stability | : +/-0.15% of URL for 2 years | ● Digital Communication | : Hart Protocol, RS485 |
| ● Working Temperature | : -40 to +250 °C | ● Damping Adjustment | : 0 - 32 Seconds |
| ● Max. Pressure | : 40 Mpa (Depand on Flange Rating) | ● Response Time | : 200 mS |
| ● Material | | ● Turn on Time | : 2 Seconds with minimum damping |
| Flange/Adapters | : Carbon Steel / Stainless Steel 304 /
: Stainless Steel 316 | ● Zero calibration | : Automatic calibration by push button |
| Diaphragms | : Stainless Steel 316L / Hastelloy B /
Hastelloy C / Monel / Tantalum | ● Electrical Connections | : 1/2" NPT(Female) / M20 Conduit Threads |
| Bolts & Nuts | : Carbon Steel / Stainless Steel 316 | ● Temperature Effect | : +/-0.18% of span per 20 °C |
| Name / Tag Plate | : Stainless Steel 304 / Stainless Steel 316 | ● EMI/RFI Effect | : Follow SAMA PMC 33.1 from 20 to 1000 MHz and for field strengths up to 30 V/m |
| Converter Housing | : Low copper cast aluminum alloy with polyurethane, light blue paint | ● Process connections | |
| Fill Fluid | : Silicone / High Temperature Silicone
Fluorine Oil / Vegetable Oil | High Pressure Side | : 2", 3", 4" Flanges
ANSI / DIN / JIS / Tri-Clamp |
| ● Enclosure | : IP67 (Standard)
: Intrinsically Safe EEx ia IIC T5 (Standard)
: Explosion proof Ex D IIB T5 | Extended Diaphragm | : 2", 4", 6" length |
| | | Low Pressure Side | : 1/4 - 18 NPT , 1/2 - 14 NPT |
| | | ● Ambient Temperature | : -25 to +85 °C |
| | | ● Dimensions | : 102 mm (W) * 188 mm (H) * 189 mm (D) |
| | | ● Weight | : 8 - 15 Kg |



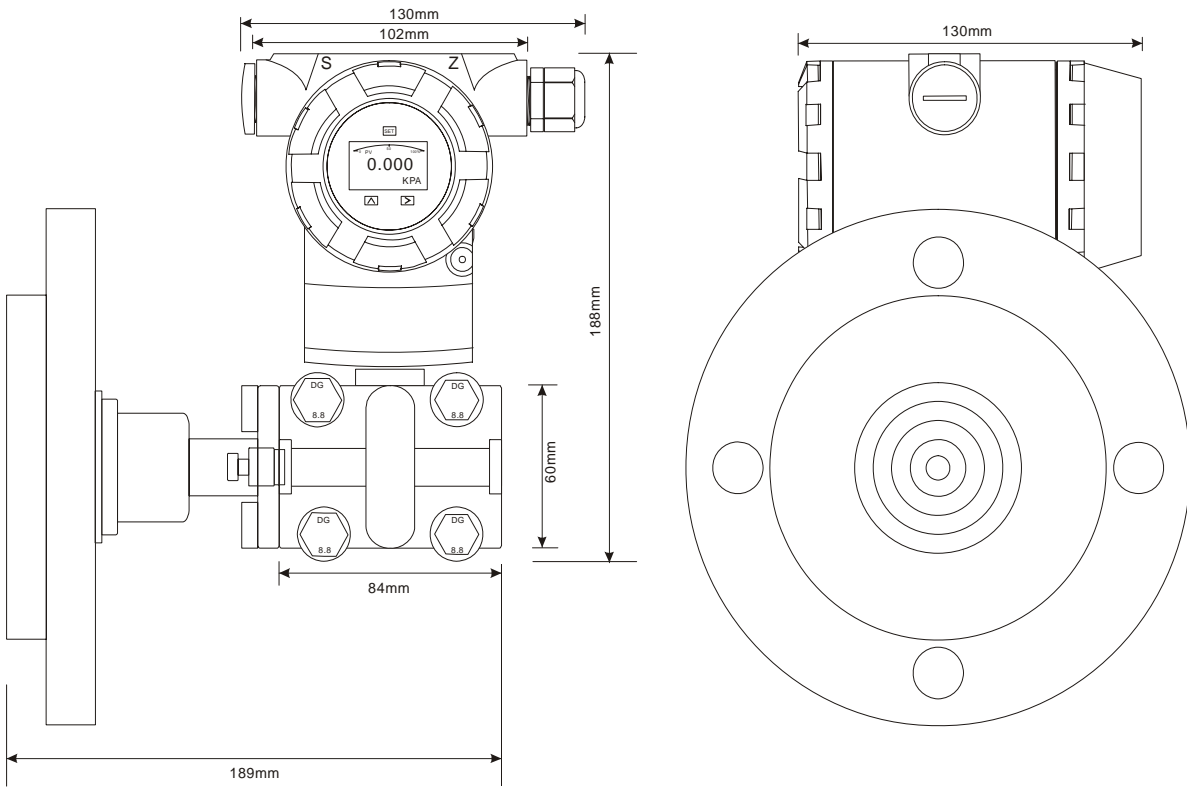
MEASURE RANGE

Range Code	Pressure Range				Transmitter		
	Low Range	High Range	Low Range	High Range	Differential Pressure	Level Pressure	Absolute Pressure
2	0 - 0.125 Kpa	0 - 1.5 Kpa	0 - 12.75 mmH2O	0 - 153.0 mmH2O	◆	◆	
	0 - 1.250 mbar	0 - 15 mbar	0 - 0.5018 InH2O	0 - 6.022 InH2O			
	0 - 0.018 psi	0 - 0.218 psi	0 - 0.001 Kg/cm2	0 - 0.015 Kg/cm2			
3	0 - 1.3 Kpa	0 - 7.5 Kpa	0 - 132.6 mmH2O	0 - 764.8 mmH2O	◆	◆	
	0 - 13 mbar	0 - 75 mbar	0 - 5.219 InH2O	0 - 30.11 InH2O			
	0 - 0.189 psi	0 - 1.088 psi	0 - 0.013 Kg/cm2	0 - 0.076 Kg/cm2			
4	0 - 6.2 Kpa	0 - 37 Kpa	0 - 632.2 mmH2O	0 - 3773 mmH2O	◆	◆	◆
	0 - 62 mbar	0 - 370 mbar	0 - 24.89 InH2O	0 - 148.5 InH2O			
	0 - 0.899 psi	0 - 5.366 psi	0 - 0.063 Kg/cm2	0 - 0.377 Kg/cm2			
5	0 - 30 Kpa	0 - 180 Kpa	0 - 3.059 MH2O	0 - 18.35 MH2O	◆	◆	◆
	0 - 300 mbar	0 - 1800 mbar	0 - 120.4 InH2O	0 - 722.6 InH2O			
	0 - 4.351 psi	0 - 26.11 psi	0 - 0.306 Kg/cm2	0 - 1.835 Kg/cm2			
6	0 - 117 Kpa	0 - 690 Kpa	0 - 11.93 MH2O	0 - 70.36 MH2O	◆	◆	◆
	0 - 1.170 Bar	0 - 6.900 Bar	0 - 469.7 InH2O	0 - 2770 InH2O			
	0 - 16.97 psi	0 - 100.1 psi	0 - 1.193 Kg/cm2	0 - 7.036 Kg/cm2			
7	0 - 350 Kpa	0 - 2000 Kpa	0 - 35.69 MH2O	0 - 203.9 MH2O	◆	◆	◆
	0 - 3.5 Bar	0 - 20 Bar	0 - 1405 InH2O	0 - 8029 InH2O			
	0 - 50.76 psi	0 - 290.1 psi	0 - 3.569 Kg/cm2	0 - 20.39 Kg/cm2			
8	0 - 1.17 Mpa	0 - 6.8 Mpa	0 - 119.3 MH2O	0 - 693.4 MH2O	◆	◆	◆
	0 - 11.70 Bar	0 - 68 Bar	0 - 4697.1 InH2O	0 - 272299 InH2O			
	0 - 169.7 psi	0 - 986.3 psi	0 - 11.93 Kg/cm2	0 - 69.34 Kg/cm2			
9	0 - 4.0 Mpa	0 - 25 Mpa	0 - 407.9 MH2O	0 - 2549 MH2O	◆	◆	◆
	0 - 40 Bar	0 - 250 Bar	0 - 16059 InH2O	0 - 100366 InH2O			
	0 - 580.2 psi	0 - 3626 psi	0 - 40.79 Kg/cm2	0 - 254.9 Kg/cm2			

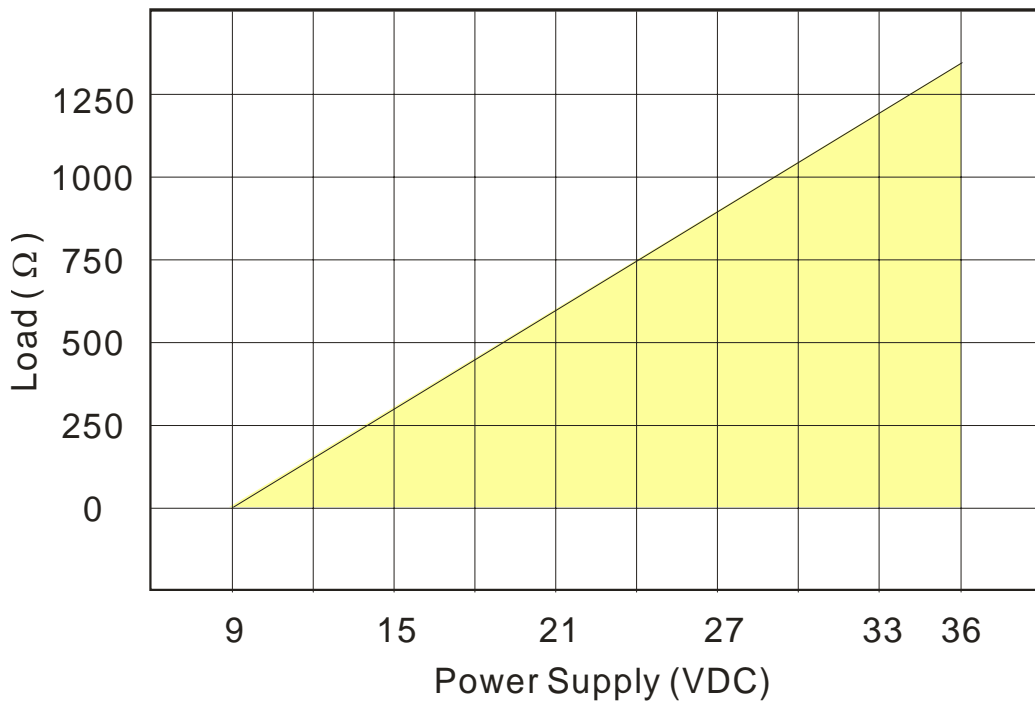
ELECTRICAL CONNECTION



➤ DIMENSIONS



➤ Supply & Load Requirements



➤ Model Selection Guide

ADP9000L Series												
Example: ADP9000L-4A30N-4NN-NN-EX/HT												
ADP9000L-	X	X	X	X	X	-X	X	X	-X	X	-XX	Description
Pressure Range	2											0 - 0.125 (0.015) Kpa ... 0 - 1.5 Kpa (Type D/G)
	3											0 - 1.3 (0.075) Kpa ... 0 - 7.5 Kpa (Type D/G)
	4											0 - 6.2 (0.37) Kpa ... 0 - 37 Kpa
	5											0 - 30 (1.8) Kpa ... 0 - 180 Kpa
	6											0 - 117 (6.9) Kpa ... 0 - 690 Kpa
	7											0 - 350 (20) Kpa ... 0 - 2000 Kpa
	8											0 - 1.17 (0.068) Mpa ... 0 - 6.8 Mpa
	9											0 - 4.0 (0.25) Mpa ... 0 - 25 Mpa
	Process Connection	1										
2												PN16
3												PN25
4												PN40
A												ANSI 150#
B												ANSI 300#
J												JIS 10K
K												JIS 20K
Z												Other
Flange Rating	2											2" (If Include Extension Diaphragm, Diameter=49mm)
	3											3" (If Include Extension Diaphragm, Diameter=64mm)
	4											4" (If Include Extension Diaphragm, Diameter=89mm)
Diaphragm Extension Length	0											Flush Diaphragm
	2											2" (50mm)
	4											4" (100mm)
	6											6" (150mm)
Diaphragm Material	N											Stainless Steel 316L
	B											Hastelloy B
	C											Hastelloy C
	T											Tantalum
Flange Material	-N											Carbon Steel
	-4											Stainless Steel 304
	-6											Stainless Steel 316
Low Pressure Side Process Connection	N											1/4" - 18 NPT
	A											1/2" - 14 NPT(with Adapter)
	Z											Other
Bolts / Nuts Material	N											Carbon Steel
	S											Stainless Steel 316
Fill Fluid	-N											Silicone (Max. Temperature 130 °C)
	-S											HT Silicone (Max. Temperature 250 °C)
	-F											Fluorine (Max. Temperature 160 °C)
	-V											Vegetable Oil (Max. Temperature 130 °C)
Electrical Connection	N											M20 Conduit Threads
	P											1/2" NPT(Female)
	Z											Other
Optional	-NN											None
	-EX											Explosion Proof Ex D IIB T5
	-S6											Stainless Steel 316 Name Plate and Tag Plate
	-HT											Hart Signal
	-ZZ											Others